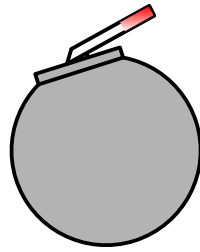
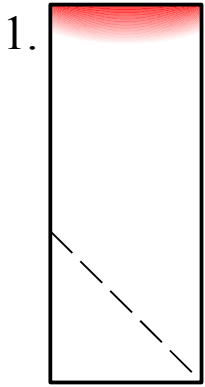


Cartoon Bomb

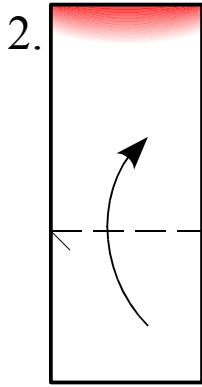


By Wensdy Whitehead

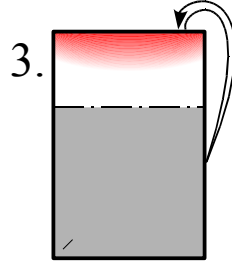
Recommended Paper: long rectangle, about 1:2.5 to 1:3, such as 2" wide by 5" to 6" (50mm x 125-150mm), black on one side, white on the other. Color one end red on the white side for a lit fuse on the finished model.



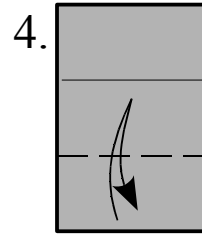
1. Mark off a square for the body of the bomb. A pinch suffices.



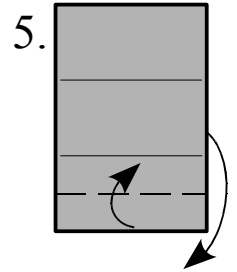
2. Fold the square upward.



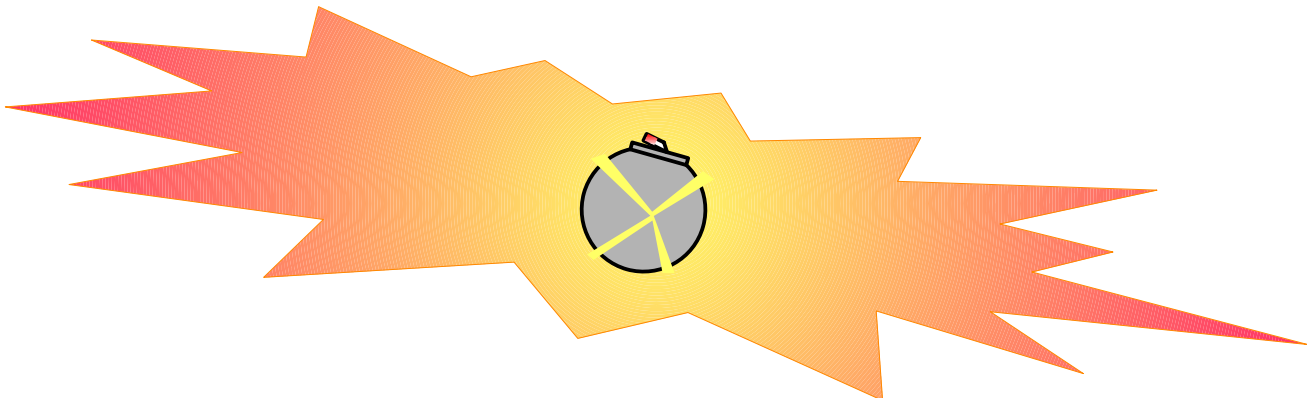
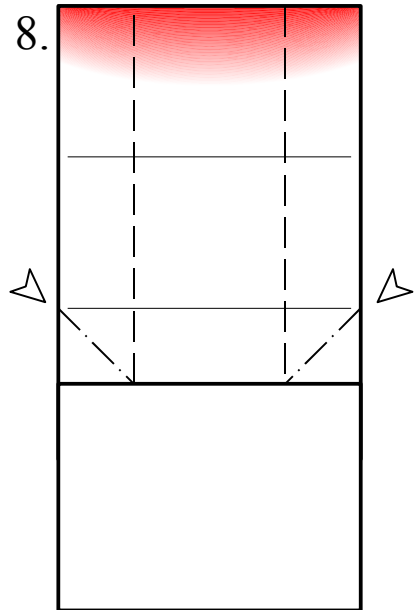
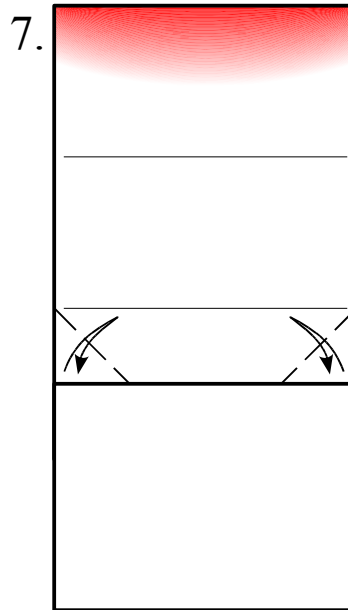
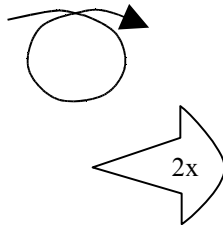
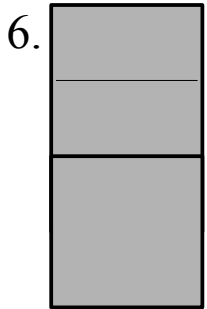
3. Mark off another square.

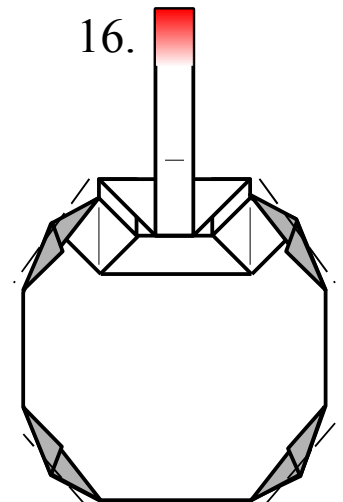
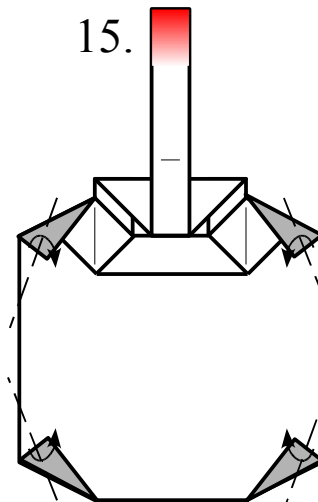
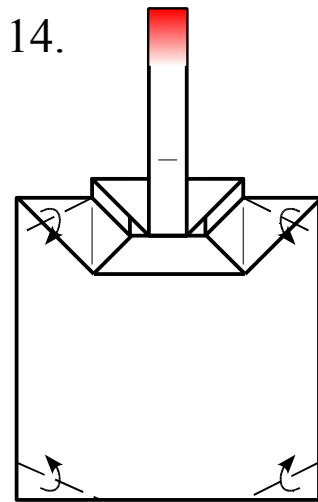
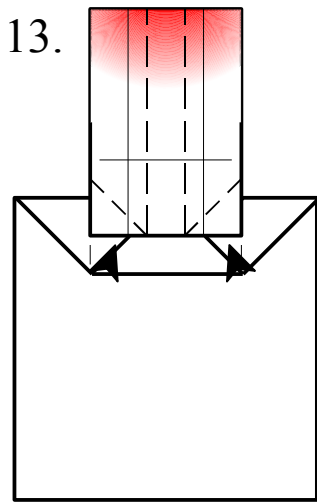
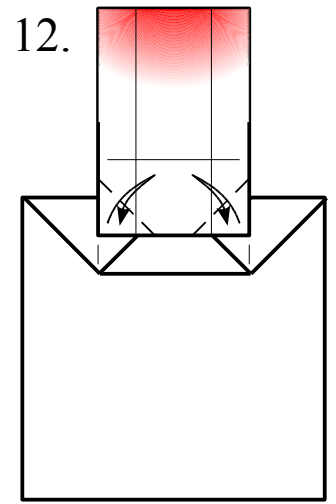
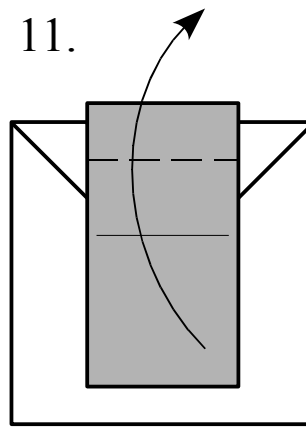
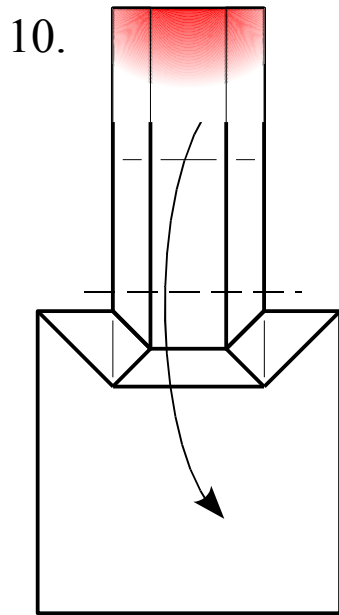
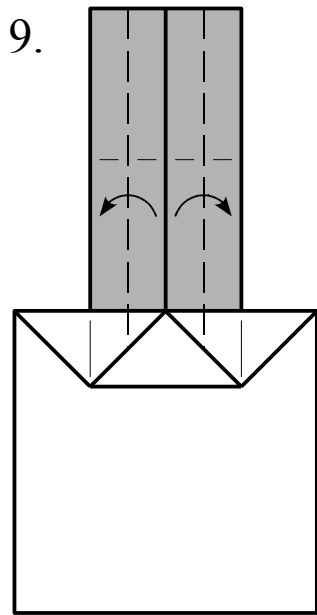


4. Crease only 1 layer (flip fold and unfold).



5. Flip fold.



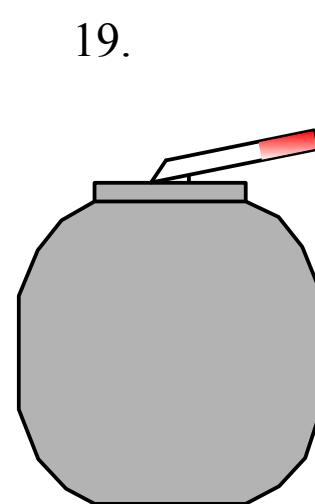
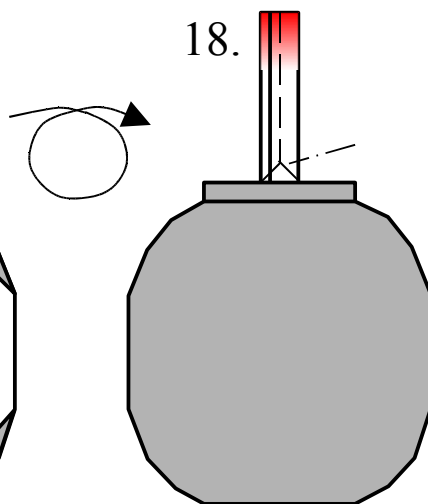
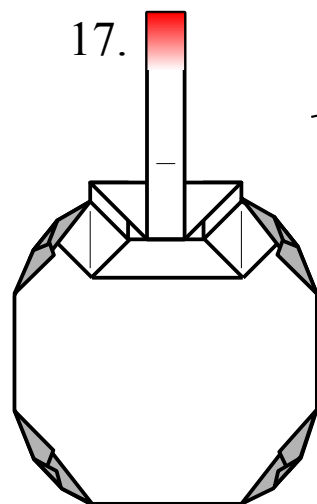


Long inside-reverse folds.

Start to round the body of the bomb.

Further round the body of the bomb.

Nip over the corners to finish rounding.



Rabbit-ear at an angle.

Done!