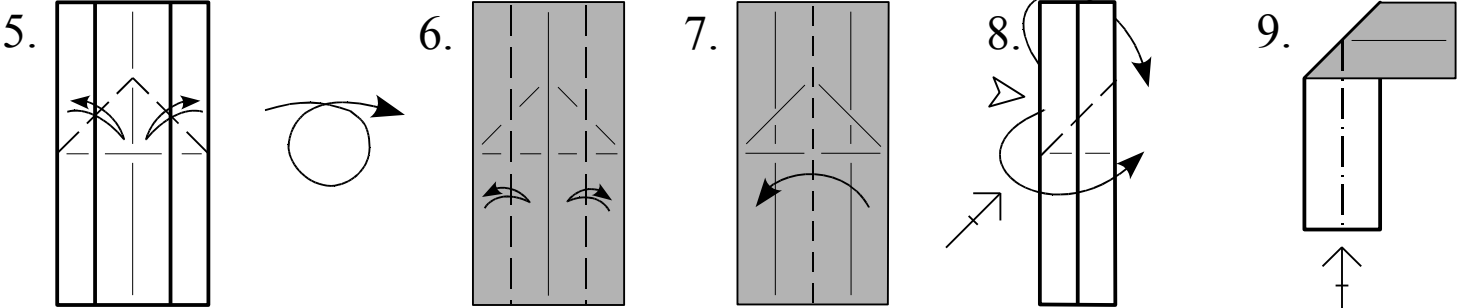
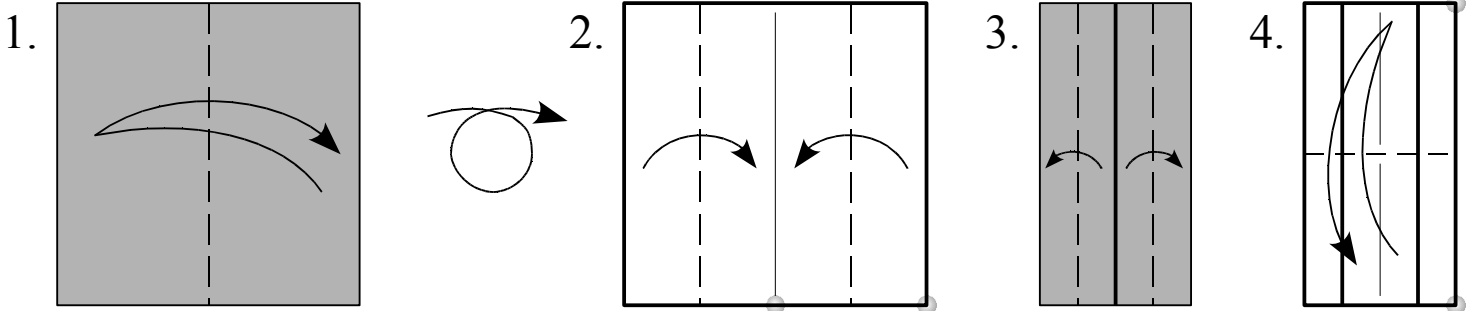


Adze

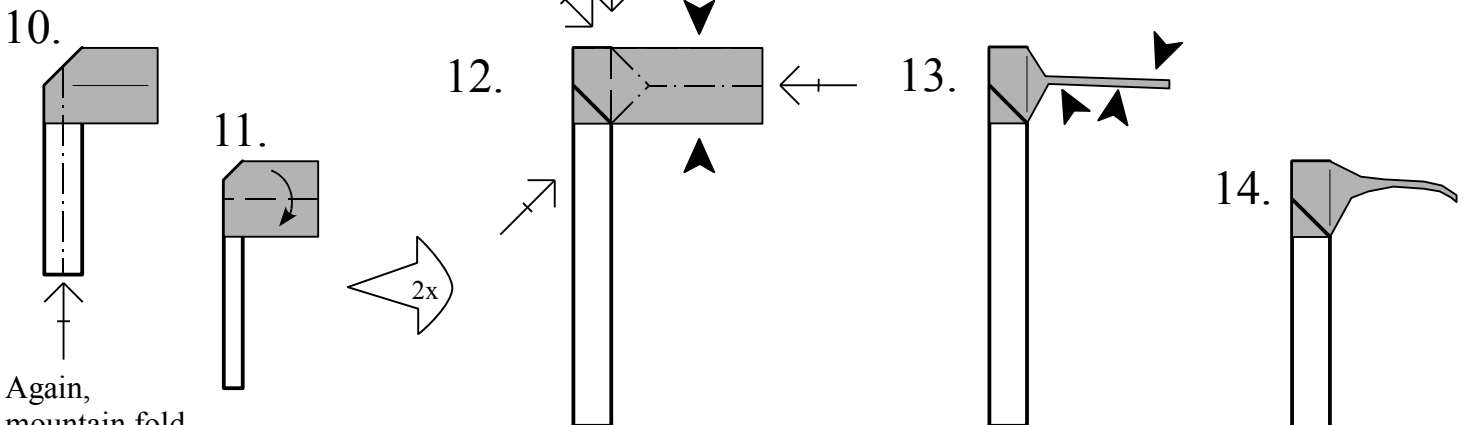
By Wensdy Whitehead

Recommended Paper: thin 3"-6"
(75mm-150mm) paper-backed foil.



Hood (a.k.a. outside-reverse) fold.

Mountain fold to the inside. Repeat behind.



Again, mountain fold to the inside. Repeat behind.

Double rabbit-ear. Include layers from behind with the layers folded down in step 10.

Round the blade. Tug a little on the tip of the blade to get a smoother transition on the adze head.

Done!