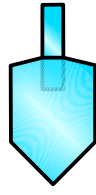
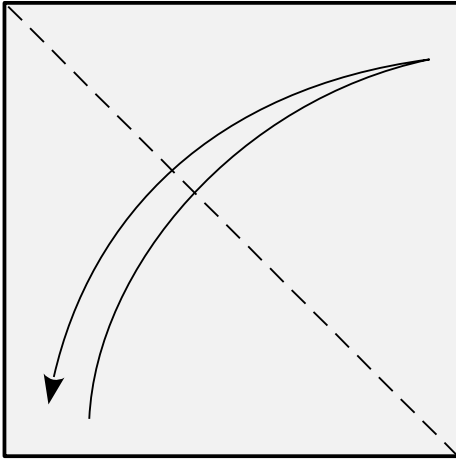


# Dreidel for Lisa



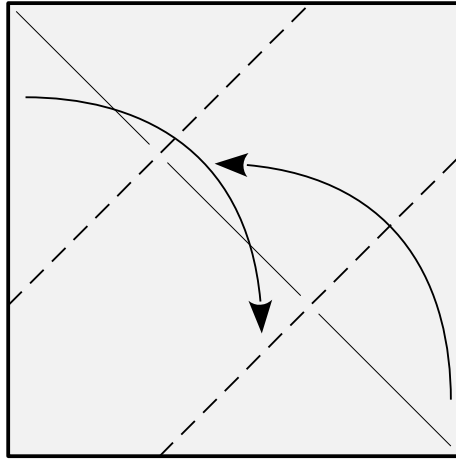
By Wensdy Whitehead

1.



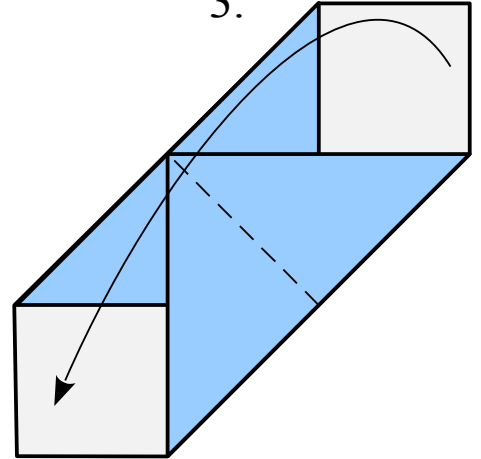
Fold and unfold.

2.

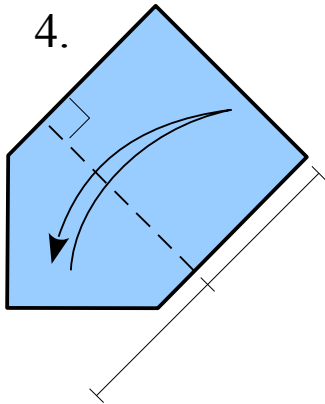


Thirds.

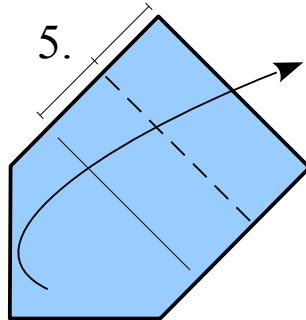
3.



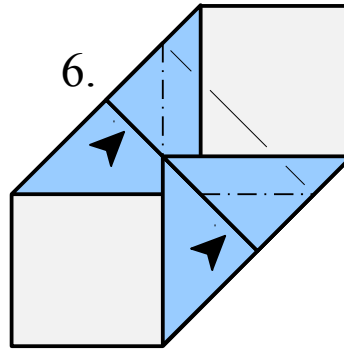
4.



5.

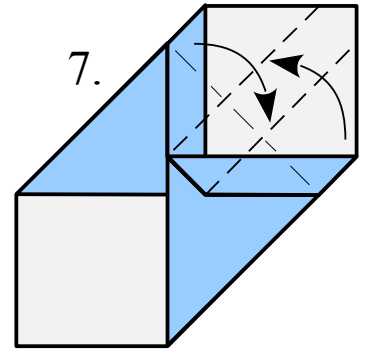


6.

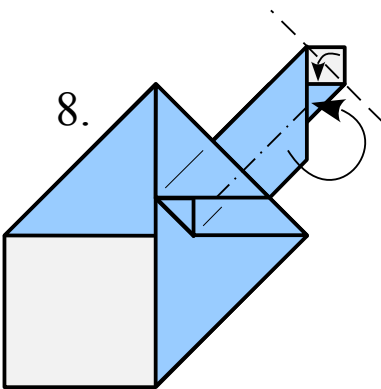


Inside-reverse.

7.

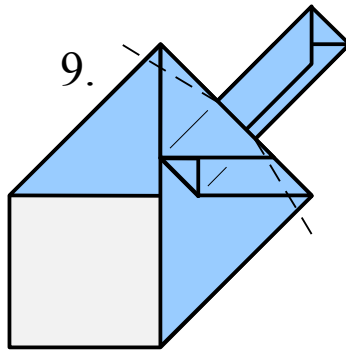


8.

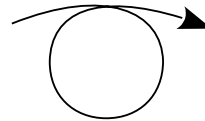


Mountain fold to hide the excess and valley fold to square off the end.

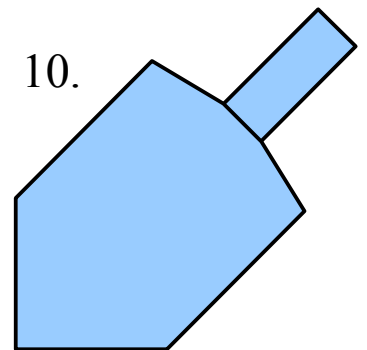
9.



Optional valley folds to hold the finished model flatter. Foil-backed paper or plans to flatten the model in an encyclopedia for a week eliminate the need for this step.



10.



Done!